

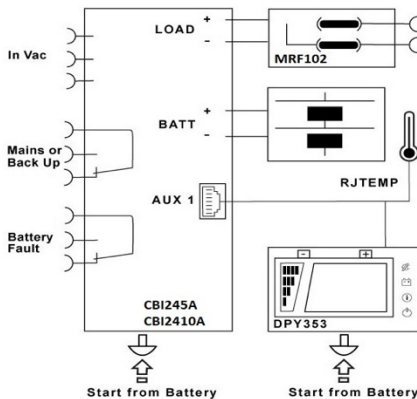
SFP240 Safety Power



Input: Single-phase 115 - 230 - 277 Vac
Output: 24 Vdc 10 A
Device Inside: CBI2410A
Battery Temperature compensation
Batteries: 12; 18; 45 Ah
Deep Discharge protections
Charging curve IUoU, constant voltage and Constant current
Life Test Battery: detect internal battery resistance
Charging State: Recovery, Bulk, Absorption, Boost, Float; Refresh
Protected against short circuit, Overload and inverted polarity
Signal output (Dry contact) for discharged or damaged battery, Mains / Back-UP
Wall Mount
Protection degree IP30; Space saving

Technical Feature

Uninterruptible Power supply unit for fire protection and voice alarm system, compliant with European standard EN54-4:1997+A1:2002 +A2:2006. The device integrates DC-Ups ADELSYSTEM "All In One" CBI with different battery sizes and two independent outputs, controlled by an internal electronic circuit breaker. The device can supply the load while charging and testing the battery. When mains failure occurs, the load continues to be supplied by the battery without any output interruption. In any situation the battery is tested and temperature charging compensation is performed thanks to the temperature sensor probe RJTEMP. With DPY353 it is possible to monitor the state and the alarms of the system, all of them transmitted by Dry contact. Alarms Type: Battery Fault (Internal Impedance), Mains failure, Generic Fault, battery disconnected, battery element in short circuit.



Quiescent Current max.	≤ 100 mA
Charging Curve automatic: IUoUo	5 stage
Remote Input Control (RTCONN cable)	Boost / Float
Battery Charge Capacity (Ah)	12 - 18 Ah 45Ah
Charging Current Limiter Position	Min:20% Ibat Mid:50% Ibat
Maximum internal battery resistance	300 mΩ

Load Output

Output voltage Vdc (at In)	22 - 28.8 V
Out Voltage Max	32 V
Nominal current Iload (Imax,a); ± 5%	8 A
Continuous current (without battery) Iload= In (Imax,b); ± 5%	9 A
Continuous current (I min)	0 approx.
N° 2 Out true MRF102 Fuse Breaker	1-10 A x Out (approx.)
Continuous current (I min) on N°2 Out	0 approx.
Start From Battery Without Main (Remote Input Control)	RTCONN (cable) Push Button
Threshold alarm Battery almost flat (Low Batt)	20 - 21 Vdc batt
Protections against total discharge (LVD)	19 - 20 Vdc batt
Efficiency (at 50% of rated current)	≥ 83 %
Residual Ripple	≤ 300 mVpp
Turn-On delay after applying mains voltage	1 sec. (max)
Start up with Strong Load (capacitive load)	Yes, Unlimited
Dissipation power load max (W)	28

Signal Output (free switch contacts)

Main or Backup Input Power	Yes
Low Battery	Yes
Fault Battery or system	Yes

Type of Signal Output Contact

Dry Contact. Current can be switched (EN60947.4.1):
 Max: DC1: 30 Vdc 1 A; AC1: 60 Vac 1A (Resistive load)
 Min: 1mA at 5 Vdc (Min permissible load)

Fault System / Low Battery	C	NC	NO
Main or Back Up	C	NC	NO

Signal Input / Output (RJ45)

Temp. Comp. Battery (with external probe): Aux Out	RJ Temp (cable)
Remote monitoring display: Aux Out	RJ 45 (cable)

Climatic Data

Ambient temperature (operation)	-5 + +40°C
De Rating Ta > 40°C	- 2.5%(In) / °C
Ambient temperature Storage	-40 + +85°C
Humidity at 25 °C no condensation (max.)	95% to 25°C
Altitude: 0 to 2 000m - 0 to 6 560ft	No restrictions
Altitude: 2 000 to 6 000m - 6 560 to 20 000ft	De-rating 5°C/1000m
Cooling	Auto convection

General Data

Insulation voltage (IN/OUT)	3000 Vac
Insulation voltage (Input / Earth, PE)	2000 Vac
Insulation voltage (Out Load & Battery / Earth, PE)	500 Vac
Insulation voltage (Out Load & Battery / Fault System & Main or Back Up terminal)	500 Vac
Protection Class (EN/IEC 60529)	IP30
Reliability: MTBF IEC 61709	> 300.000 h

Input Data

	SFP240 (CBI2410A)
Nominal input voltage	115 - 230 - 277 Vac
Input voltage range	90 - 305 Vac
Inrush Current (Vn - In nom. Load) I2t	≤ 16 A ≤ 5 msec.
Frequency	47 - 63 Hz
Input Current (115 - 230 Vac)	5 - 2.5 A
Internal fuse (not replaceable)	6.3 A
External Fuse (recommended) MCB curve B	16 A

Battery Output

Boost charge (25 °C) (at In)	28.8 Vdc
Max. time Boost Charge	15 h
Min. time Boost Charge	1 min.
Float charge (25 °C) (at In) (max)	27.5 Vdc
Jumper Configuration battery type (V/cell)	2.23;2.25;2.27;2.3
Recovery Charge	2 - 20 Vdc
Charging current max Ibat	5 A ± 5%
Charging current limiting Iadj	20 - 100% Ibat
Reverse battery protection	Yes
Sulfated battery check	Yes by Jumper
Detection of element in short circuit	Yes

Pollution Degree Environment	2
Protection class (PE Connected)	I, with PE
Dimensions (w-h-d)	305x360x185 mm
Weight	kg 7 approx..

Fuse

Internal fuse (not replaceable)	6.3 A
Battery Fuse (F) Type: Blade Fuse	20A
MRF102 Electronic Fuse	10A Auto Restart

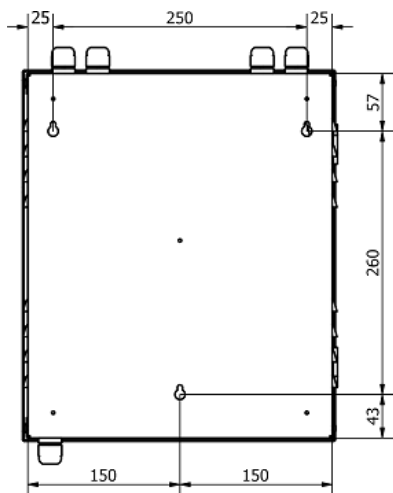
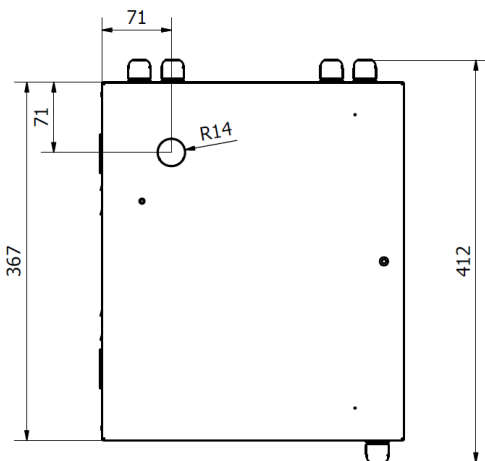
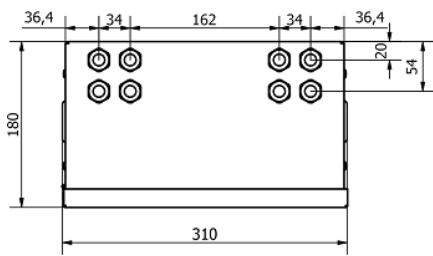
Ordering

Enclosure coating White , Code:	SFP240W
Enclosure coating Black , Code:	SFP240B

Accessory

Temperature Battery Compensation Probe	RJTEMP451
Coupler for connection RJTemp451	RJ45COUPLER
Tamper Switch for the door	SWC102

Drawings



Battery Configurations

